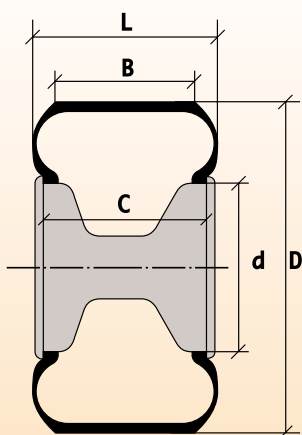


VEGA



HIGH TECHNOLOGY
IN KARTING TYRES



CODE	XLL42	XLL45	XLL55	XLL60	XLL65	XLL71
Omologazione/homologation	-	-	-	-	-	-
Misure/Size	10X4.20-5	10X4.50-5	11X5.50-5	11X6.00-5	11X6.50-5	11X7.10-5
Durezza/Hardness Shore A±6	69	69	69	69	69	69
L mm max	115	128	147	151	178	204
B mm ±5	92	98	110	122	145	152
C mm ±2	98	115	138	138	168	198
d mm $\begin{smallmatrix} +0 \\ -1 \end{smallmatrix}$	126	126	126	126	126	126
D mm ±6	260	260	275	275	277	280
Pressione suggerita/ Suggested pressure: BAR ±0.2 PSI ±3	0.8 12	0.8 12	0.8 12	0.8 12	0.8 12	0.8 12
Pressione massima/ Max pressure: BAR PSI	4.0 60	4.0 60	4.0 60	4.0 60	4.0 60	4.0 60
Velocità massima/ Max speed: Km/h Mp/h	180 112	180 112	180 112	180 112	180 112	180 112
Peso/Weight kg	0.95	1.10	1.15	1.20	1.35	1.45



Via Archimede, 10 • 21047 Saronno (VA) - Italy
Tel. 02.96451201 (r.a.) • Fax 02.96451192 • www.vegatyres.com