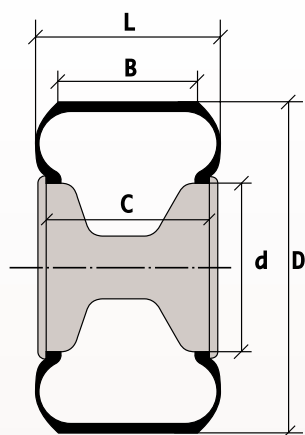


# VEGA



HIGH TECHNOLOGY  
IN KARTING TYRES



CODE	WE40	WE50
Omologazione/homologation	CSAI	CSAI
Misure/Size	10X4.00-5	11X5.00-5
Durezza/Hardness Shore A $\pm$ 6 40	40	
L mm max	98	135
B mm $\pm$ 5	62	105
C mm $\pm$ 2	90	110
d mm $\begin{smallmatrix} +0 \\ -1 \end{smallmatrix}$	126.2	126.2
D mm $\pm$ 6	255	275
Pressione suggerita/ Suggested pressure:	BAR $\pm$ 0.2 PSI $\pm$ 3	1.0 14.5
Pressione massima/ Max pressure:	BAR PSI	4.0 60
Velocità massima/ Max speed:	Km/h Mp/h	150 95
Peso/Weight kg	0.85	1.25



Via Archimede, 10 • 21047 Saronno (VA) - Italy  
Tel. 02.96451201 (r.a.) • Fax 02.96451192 • [www.vegatyres.com](http://www.vegatyres.com)